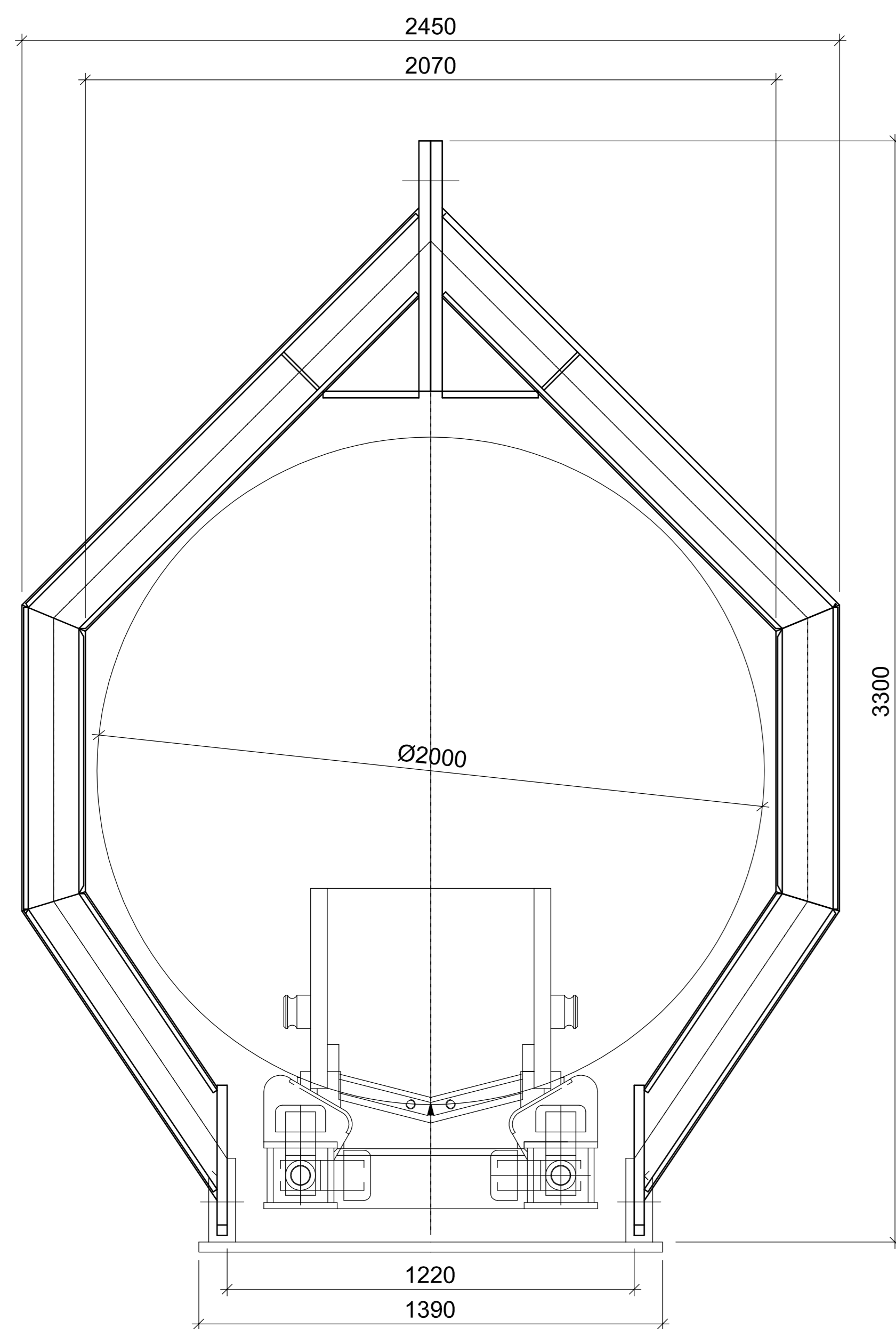
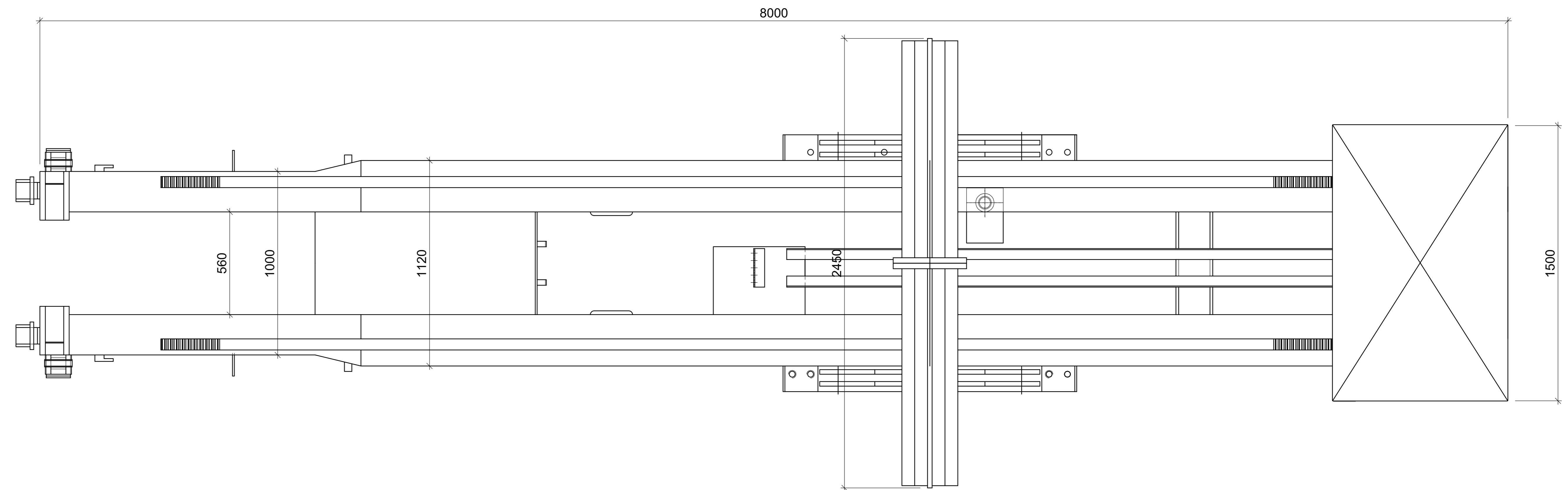
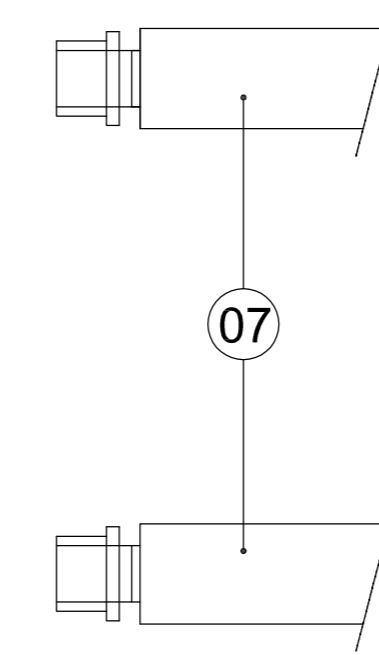


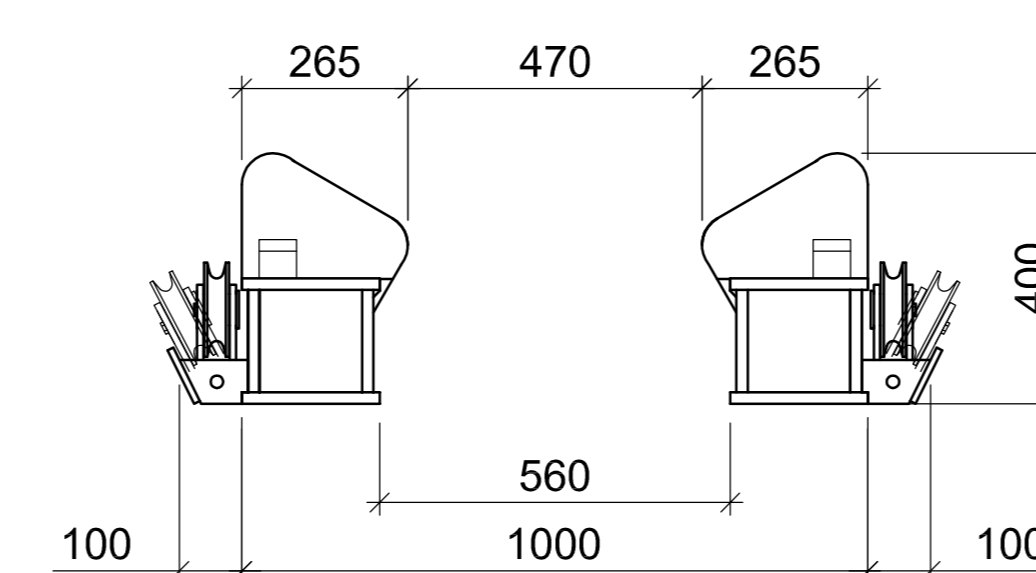
OPTIONAL 2,5m HOISTING FRAME



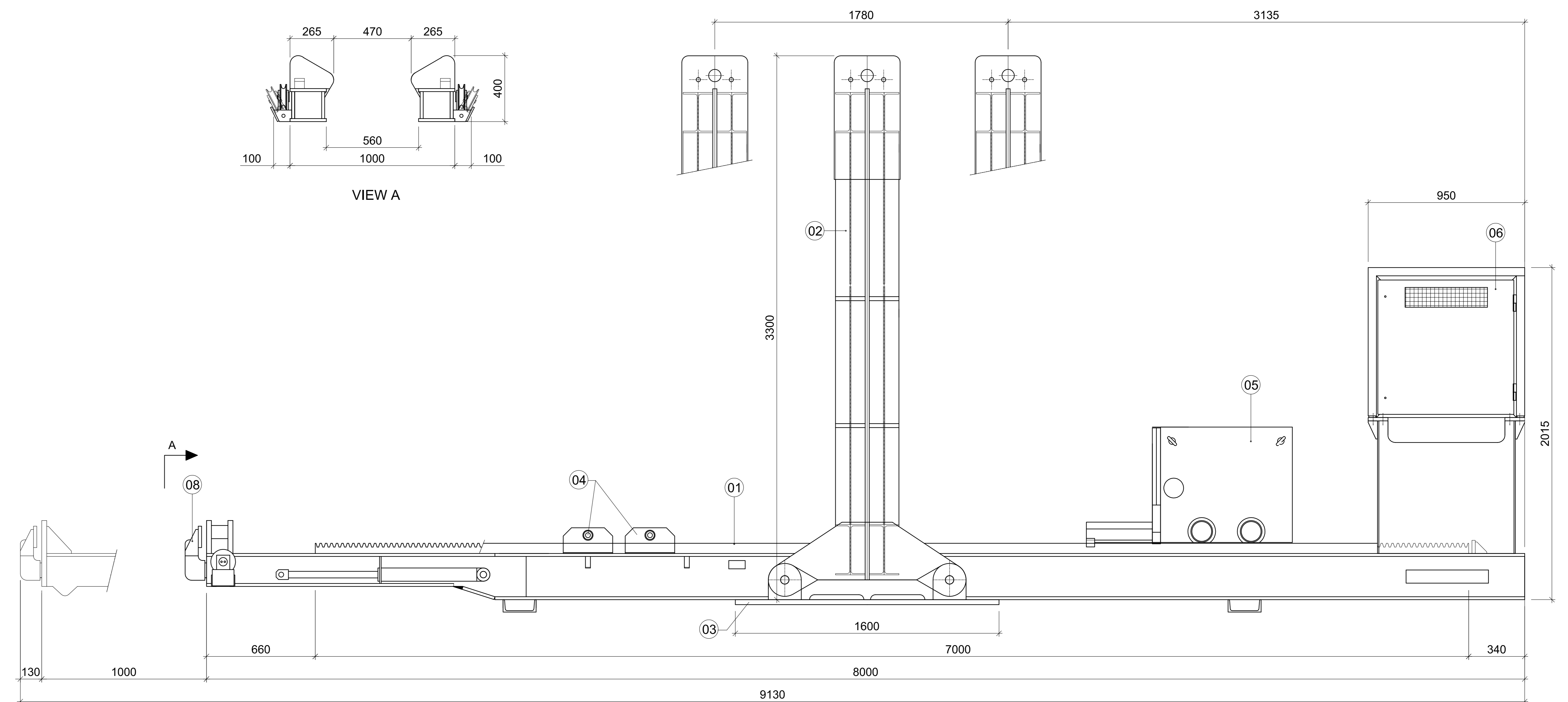
STANDARD 2m HOISTING FRAME




TOP VIEW



VIEW A



SIDE VIEW

ITEM	QUANT	DESCRIPTION	Project:	Tek.Nr.
08	1	CLAMP	Bundle extractor 45T 7000x2000EL	BT-B-GA-101
07	1	FRONT EXTENSION		
06	1	ENGINE COMPARTMENT	Customer drawing General arrangement	Formaat: A0 Schaal: 1:10
05	1	PULLING UNIT		
04	2	V-BLOCK	Rev.: -	Datum: -
03	1	BALANCE PLATE	 Mandenmakerstraat 190 3194 DG Hoogvliet Holland Tel: +31 (0)10 29 55 000 Fax: +31 (0)10 29 55 059	
02	1	HOISTING FRAME		
01	1	BASE FRAME		
			Datum: 24-3-2014	Wijz.: -